

Automated packaging systems  
End-of-line solutions

*Any Pallet,  
Any Weight,  
Anywhere*



## RONDA+

This portable wrapping robot is the most suitable solution for the stretch wrapping of large pallets or different work places. Up to 300 pallets per charge and equipped with an easy and intuitive touch screen panel. The operator may program all working parameters. The motorized pre-stretching always guarantees best results and film saving costs. Very easy to use and able to wrap outdoors or different places while the pallet remains stable.

## MAIN FEATURES

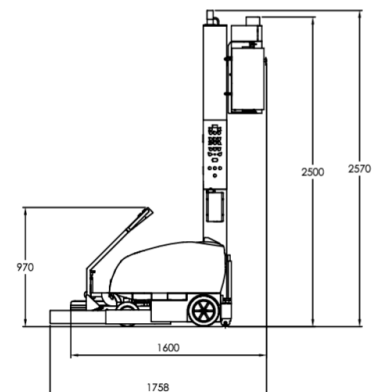
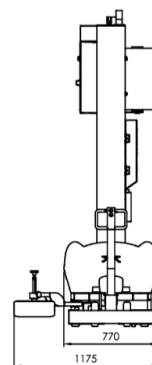
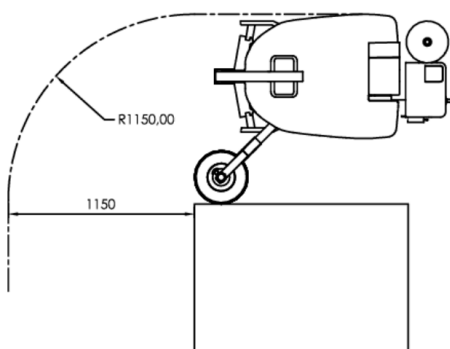
Number of pallets per battery charge	Up to 300 pallets
Max. Wrapping Height	2400 mm
Min. Pallet Size	600 mm x 600 mm
Robot Speed	20 - 90 m/min
Pre-Stretch Ratios	230% & 300%
Automatic Film Cutting	Yes
Easy Film Changeover	Yes

- Touch Screen Control Panel
- Adjustable Top and Bottom Wrap Turns
- Adjustable Wrapping Tension, Rotation Speed and Carriage Speed
- Height Detection by Photo Sensor
- Carriage Anti-Failing System



## SERVICE REQUIREMENTS

Batteries	Two 12v 100Ah
Battery Charger	110 - 240v
Power Consumption	0.7 Kw



\* Dates are as a guideline only. Please check it with our Commercial Team.