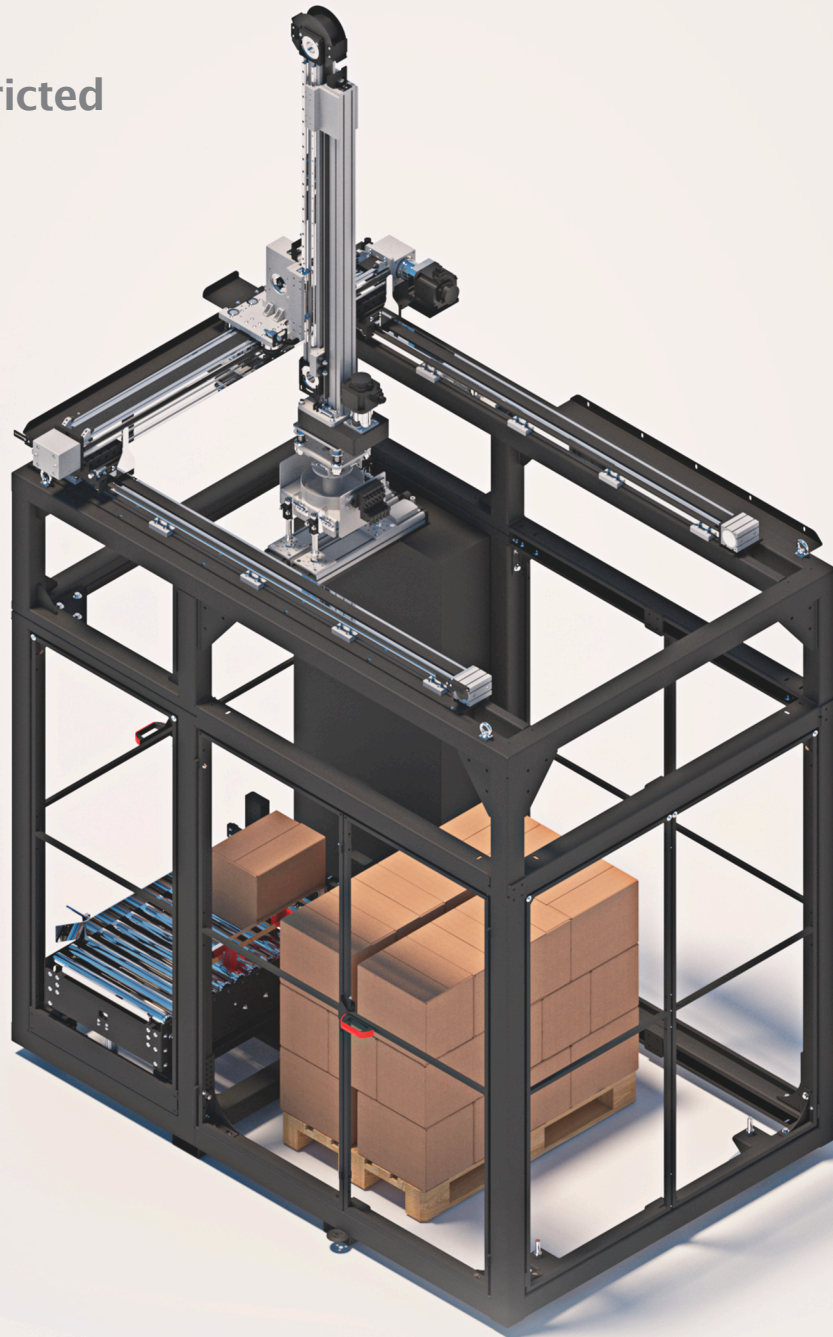


“Ideal for restricted spaces”



4AXIS

Palletising stations for integrating into automatic lines, adaptable to work with any kind of rigid or semi-rigid packaging. They are compatible with a wide range of different containers: boxes, bags, drums, plastic containers, etc. 4AXIS machines are the best palletising solution for low and medium production lines as they are low maintenance and space efficient.

GENERAL BENEFITS

Max. Production	8 cycles/min
Maximum load	40 kg

Supported pallet sizes	L	800 - 1200 mm
	W	600 - 1200 mm
	H	máx 2400 mm

Supported packaging types	Carton boxes
	Metallic cans
	Plastic trays
	Carton trays
	Sacks
Plastic containers	

SERVICE REQUIREMENTS

Pneumatic pressure	6 bar
Air consumption	3 l/cycle
Power supply	230/400V III+N+T
Installed Power	6,0 kW
Power Consumption	4,8 kWh

GENERAL FEATURES

Available Heads	Vacuum layers
	Suction cups
	Grippers
Head options	Interchangeable head
	Double head
Pallet position options	On floor
	Forklift conveyor
	500 mm conveyor

Dimensions (h=1800 pallet on floor version)	L	2780 mm
	W	1835 mm
	H	4645 mm
Approx. weight	800 kg	

This information is only for commercial purposes. Please, confirm features based on your particular project.